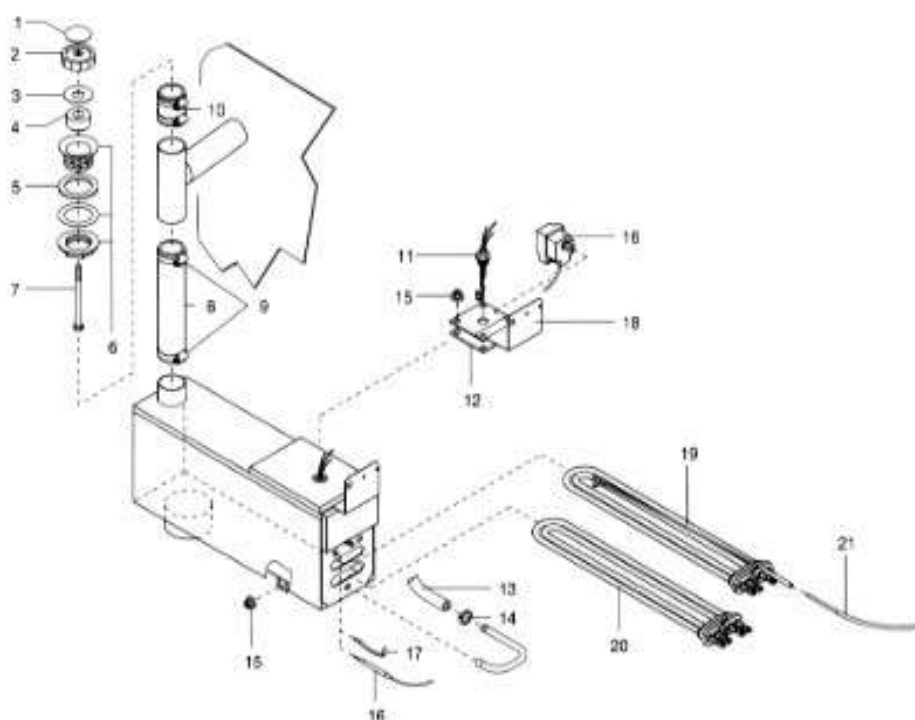


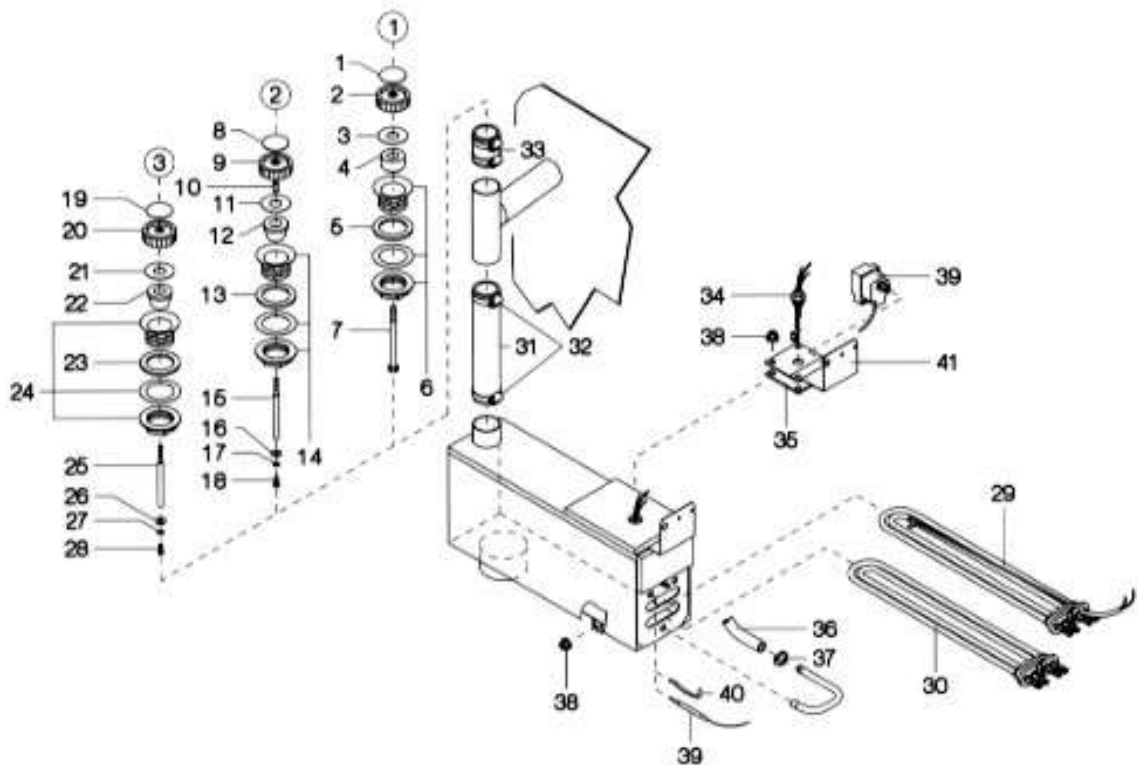
<b>Dampfgenerator</b> <b>Steam generator</b>	Spannung Voltage	Baugruppe Group	Ausgabe Edition	gültig ab Seriennummer Applicable from Serial.No.
	3 N AC 400V 50Hz	3	3.1.2	06C96011001



Pos.	St.	Ersatz.Nr.	Bezeichnung	Description
Pos.	Pcs.	Sp. Part No.		
-	1	8300.0086	SC-Dampfgenerator kpl.	SC-steam generator cpl.
-	1	8404.4000	Sicherheitsventil kpl.	Safety valve complete
1	1	2049.0800	Alu-Deckschild für Sicherheitsventil	Cover plate aluminum for safety valve
2	1	2020.0301	Griffscheibe Sicherheitsventil	Plastic-handle for safety-valve
3	1	5012.0526	Dichtung für Sicherheitsventil	Gasket for safety valve
4	1	2026.0201	Verschlußkegel Sicherheitsventil	Cone for safety valve
5	1	5012.0527	Dichtung für Sicherheitsventilgehäuse	Gasket for safety valve housing
6	1	2064.0100	Einfüllstutzen Typ 6/101	Safety valve housing
7	1	1008.0764	Sechskantschraube M8x110 f.Griffscheibe	Hex screw M8x110 for safety valve
8	1	2067.0203	Dampfschlauch NW42 200mm lang	Steam hose 200mm long
9	4	2066.0504	Schlauchschelle 40-60mm	Hose clamp 40-60mm
10	1	2067.0201	Dampfschlauch NW42 60 mm lang	Steam-hose 60mm long
11	1	3002.0401	Füllstandselektrode 70mm	Filling-level electrode 70mm
12	1	5012.0537	Dichtung für Füllstandselektrode	Gasket for filling-level elektrode
13	1	2067.0162	Silikon Schlauch 1370mm lang	Silicone hose 1370mm long
14	1	2066.0205	Schlauchschelle 12-18mm	Hose clamp 12-18mm
15	5	1106.0801	Sechskant-Combi-Mutter M6	Hex combination nut M6
16	1	3014.0300	Trockengehschutz 125°C	Dry up protector 125°C
17	1	2544.101230	Klemmblech Dampfgenerator	Clamping plate thermostat steam generator
18	1	2520.311089	Halterung für Trockengehschutz	Holder for dry up protector
19	1	3004.4155	Taucheizkörper 2x3kW 230V mit Fühlerrohr	Heating element 2x3kW 230V with sensor pipe
20	1	3004.4306	Taucheizkörper 2x1,5kW 230V	Heating element 2x1,5KW 230V
21	1	3014.0165	Thermoelement Dampfgenerator	Thermo element steam generator

**Steam Generator**

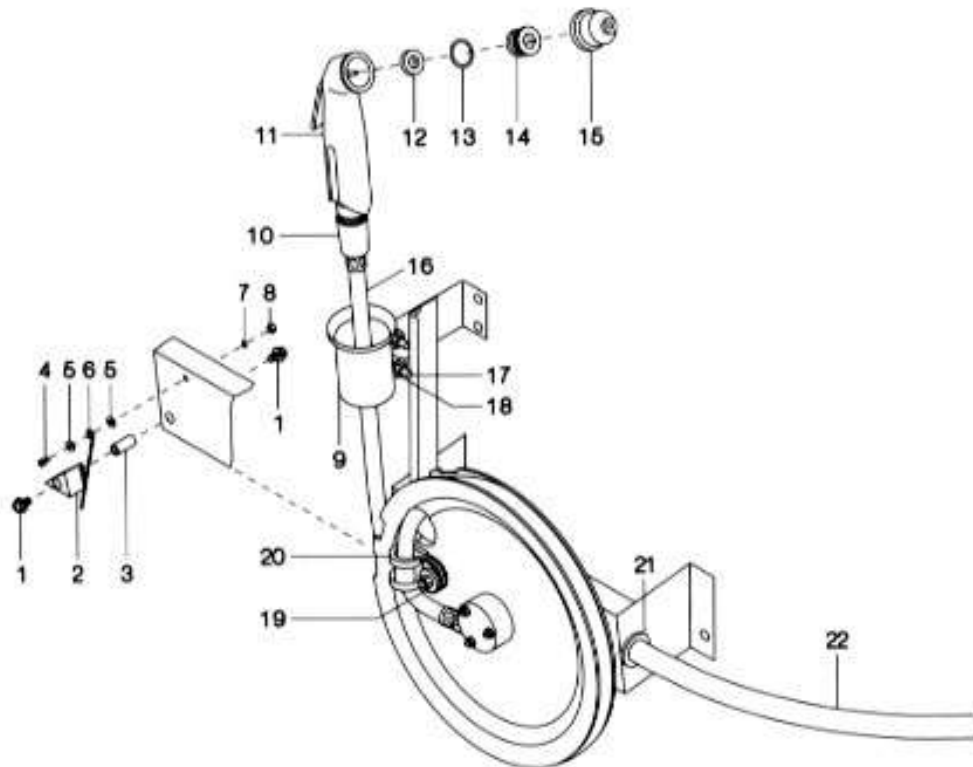
Voltage	Group	Page	Edition	Application from Serial. No.
<b>3 N AC 380V 50Hz</b>	<b>3</b>	<b>3.1</b>	<b>3.1.1</b>	<b>06C90051001</b>



Pos.Pcs.	Sp.	Part No.	Description	Sign.	Pos.Pcs.	Sp.	Part No.	Description	Sign.
-	1	8404.4000	safety valve cpl (version 1)		-	1	8300.0086	steam generator cpl.	
<b>version 1</b>					29	1	3004.4307	heating element 2x3kW	
1	1	2049.0800	cover plate, aluminium		30	1	3004.4306	heating element 2x1,5kW	
2	1	2020.0301	plastic handle		31	1	2067.0203	steam hose 200mm long	
3	1	5012.0526	gasket		32	4	2066.0504	hose clamp 40-60mm	
4	1	2026.0201	cone		33	1	2067.0201	steam hose 50mm long	
5	1	5012.0527	gasket		34	1	3002.0401	filling-level electrode 70mm	S4
6	1	2064.0100	valve body		35	1	5012.0537	gasket	
7	1	1008.0764	hex screw M8x110		36	1	2067.0162	pressure hose 1370mm long	
<b>version 2</b>					37	1	2062.0205	hose clamp 12-18mm	
8	1	2049.0800	cover plate, aluminium		38	1	1106.0801	hex-combi-nut M6	
9	1	2020.0301	plastic handle		39	1	3014.0300	protector against running dry	F5
10	1	2026.0301	plastic insert		40	1	2544.101230	clamping plate	
11	1	5012.0526	gasket		41	1	2520.311089	holding angle	
12	1	2026.0201	cone						
13	1	5012.0527	gasket						
14	1	2064.0100	valve body						
15	1	2026.0400	guide bar						
16	1	1305.0260	washer A5,3						
17	1	1205.0360	spring washer A5,3						
18	1	1005.0660	hex socked head screw M5x12						
<b>version 3</b>									
19	1	2049.0800	cover plate, aluminium						
20	1	2020.0300	plastic handle						
21	1	5012.0526	gasket						
22	1	2026.0201	cone						
23	1	5012.0527	gasket						
24	1	2064.0100	valve body						
25	1	2026.0400	guide bar						
26	1	1305.0260	washer A5,3						
27	1	1205.0360	spring washer A5,3						
28	1	1005.0660	hex socked head screw M5x12						

**Bottom (Hand Shower)**

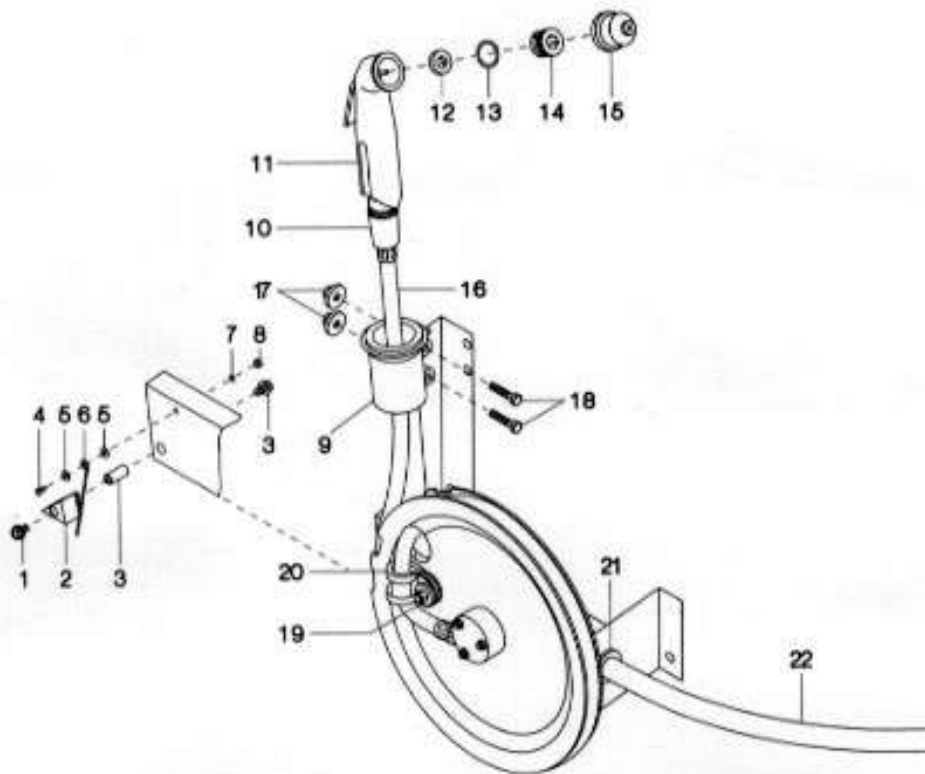
Voltage	Group	Page	Edition	Application from Serial. No.
<b>3 N AC 380V 50Hz</b>	<b>10</b>	<b>10.1</b>	<b>10.1.1</b>	<b>06C90051001</b>



Pos.	Pcs.	Sp. Part No.	Description	Sign.
-	1	8410.1000	hand shower cpl.	
1	2	1005.2000	safety screw M5x8	
2	1	2060.0120	notch lever	
3	1	2060.0115	axle for notch lever	
4	1	1004.0061	slotted pan head screw M4x8	
5	2	1304.0160	washer A4,3	
6	1	2001.0300	notch spring	
7	1	1204.0120	toothhead lock washer A4,3	
8	1	1104.0120	hex nut M4	
9	1	2060.0116	tulip	
10	1	2060.0110	revolving joint	
11	1	2060.0100	hand shower (incl.pos.12,13,14,15)	
12	1	2060.0218	gasket	
13	1	2060.0217	O-ring	
14	1	2060.0216	head screw	
15	1	2060.0215	mouthpiece	
16	1	2067.0803	shower hose	
17	2	1008.0751	hex screw M5x25	
18	2	1105.0122	hex-combi-nut M5	
19	6	1106.0801	hex-combi-nut M6	
20	1	2066.0510	hose clamp with rubber core	
21	1	4016.0500	grommet	
22	1	2067.0130	pressure hose 750mm long	

**Bottom (Hand Shower)**

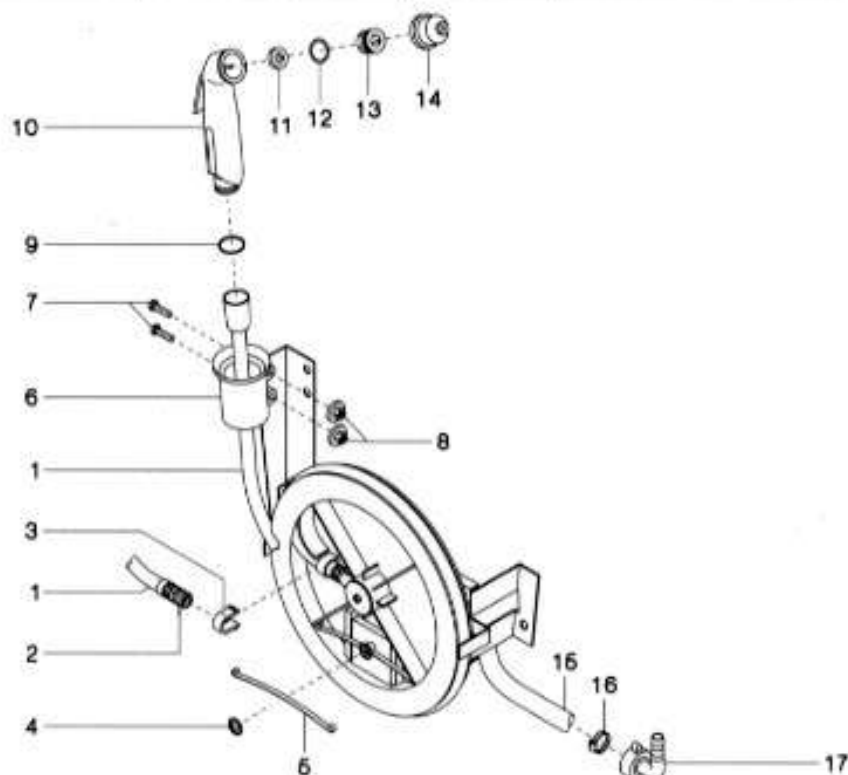
Voltage	Group	Page	Edition	Application from Serial. No.
<b>3 N AC 380V 50Hz</b>	<b>10</b>	<b>10.1</b>	<b>10.1.2</b>	<b>06C92031119</b>



Pos.	Pcs.	Sp.	Part No.	Description	Sign.
-	1		8410.1010	hand shower cpl.	
1	2		1005.2000	safety screw M5x8	
2	1		2060.0120	notch lever	
3	1		2060.0115	axle for notch lever	
4	1		1004.0061	slotted pan head screw M4x8	
5	2		1304.0160	washer A4,3	
6	1		2001.0300	notch spring	
7	1		1204.0120	toothhead lock washer A4,3	
8	1		1104.0120	hex nut M4	
9	1		2060.0121	tulip	
10	1		2060.0110	revolving joint	
11	1		2060.0100	hand shower	
12	1		2060.0218	gasket	
13	1		2060.0217	O-ring	
14	1		2060.0216	head screw	
15	1		2060.0215	mouthpiece	
16	1		2067.0603	shower hose	
17	2		1105.0122	hex-combi-nut M5	
18	2		1008.0751	hex screw M5x25	
19	6		1106.0801	hex-combi-nut M6	
20	1		2066.0510	hose clamp with rubber core	
21	1		4016.0500	grommet	
22	1		2067.0130	pressure hose 750mm long	

**Bodengruppe (Handbrause)**

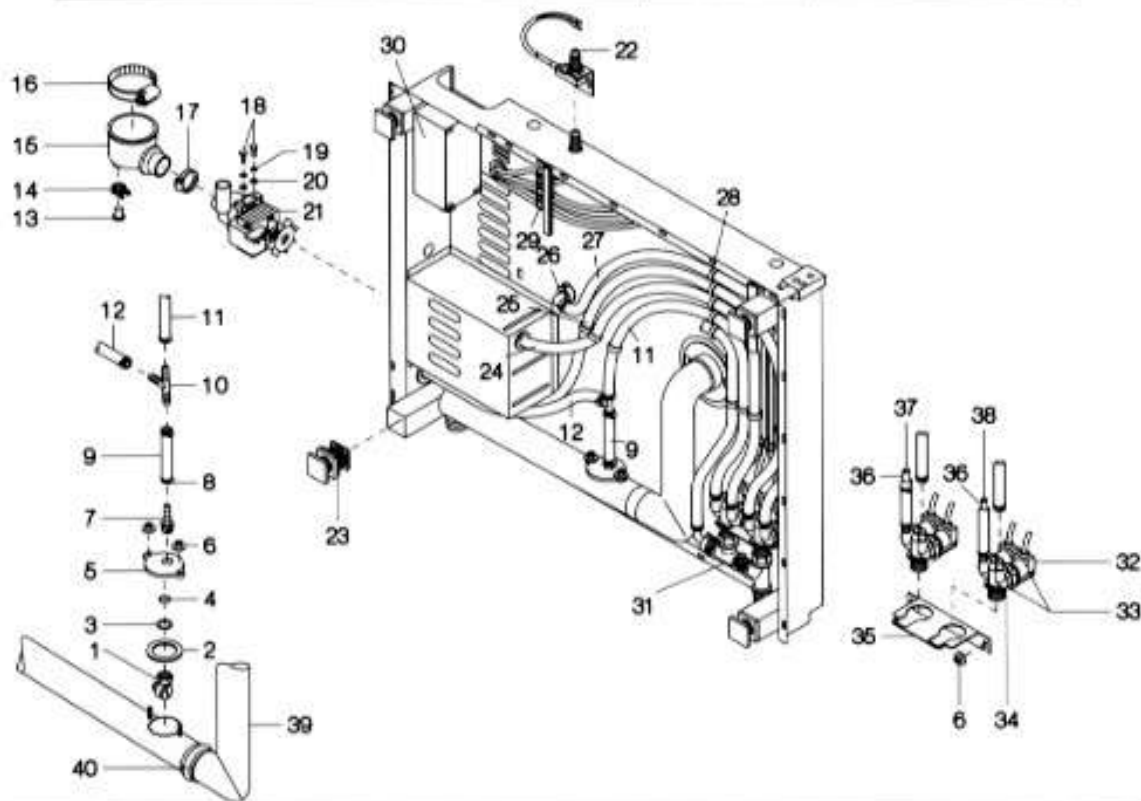
Spannung	Baugruppe	Blatt	Ausgabe	gültig ab Seriennummer
<b>3 N AC 380V 50Hz</b>	<b>10</b>	<b>10.1</b>	<b>10.1.3</b>	<b>06C92121338</b>



Pos.St.	Ersatzl.Nr.	Bezeichnung	Kenn-Zchn.
-	1	8410.1013	Schlauchroller kpl.
1	1	2067.0605	Brauseschlauch
2	2	2060.0228	Dichtung für Brauseschlauch
3	1	2060.0152	Halteklammer
4	1	2001.0203	Federmutter
5	1	2001.0202	Bügefeder
6	1	2060.0121	Tulpe
7	2	1008.0751	Sechskantschraube M5x25
8	2	1105.0122	Sechskant-Combi-Mutter M5
9	1	5012.0536	Dichtung für Brauseschlauch
10	1	2060.0100	Handbrause kpl. (inkl. Pos. 11,12,13,14)
11	1	2060.0218	Dichtung für Ventil
12	1	2060.0217	O-Ring
13	1	2060.0216	Innensechskant
14	1	2060.0215	Düse für Brause
15	1	2067.0060	Druckschlauch 900mm lang
16	2	2066.0205	Schlauchselle 12-18mm
17	1	2062.0203	Winkelverschraubung G3/4"

**Bottom (Lower elevation)**

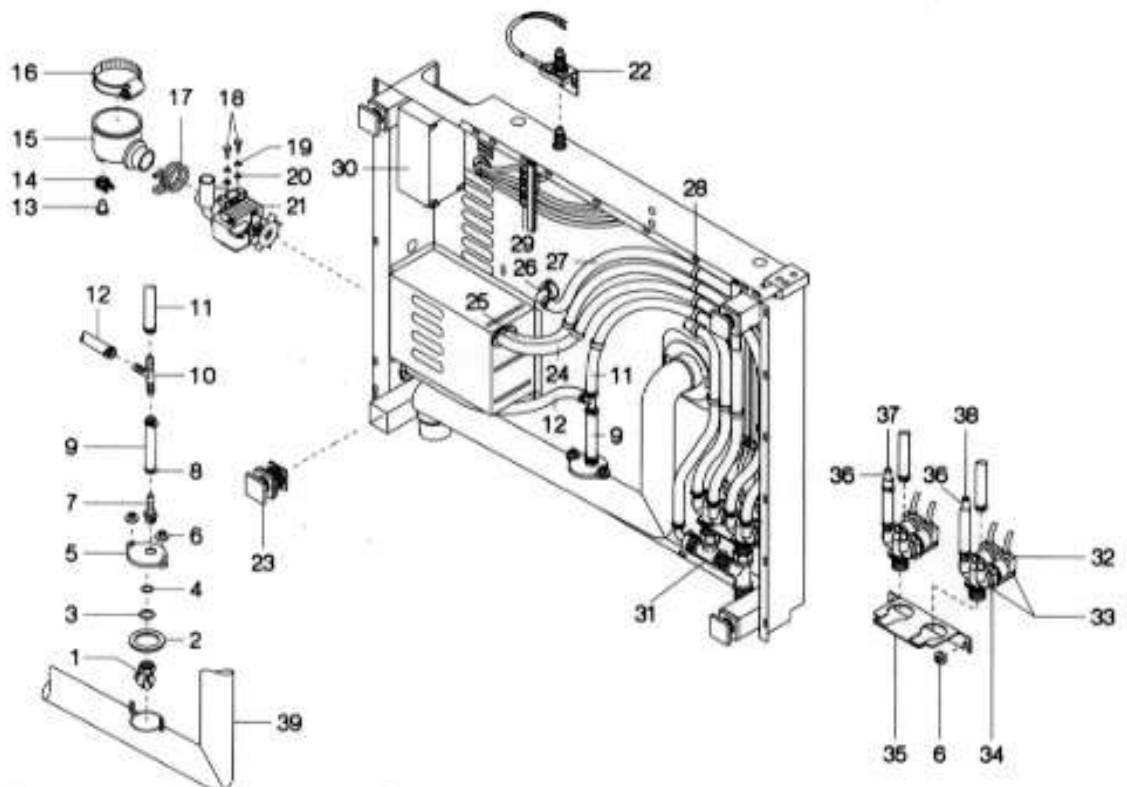
Voltage	Group	Page	Edition	Application from Serial. No.
<b>3 N AC 380V 50Hz</b>	<b>9</b>	<b>9.1</b>	<b>9.1.1</b>	<b>06C90051001</b>



Pos.	Pcs.	Sp.	Part No.	Description	Sign.	Pos.	Pcs.	Sp.	Part No.	Description	Sign.
-	1		8612.0101	quenching nozzle cpl. (pos. 1,2,3,4,5,7)		30	1		3038.0100	terminal box	
1	1		2016.0910	quenching nozzle		31	1		8621.0100	set water connection	
2	1		2070.0020	gasket		32	4		3002.0329	coil	
3	1		2580.600594	washer		33	2		3002.0327	double solenoid valve cpl.	
4	1		5012.0532	O-ring		34	2		3002.0314	body for double solenoid valve	
5	1		2070.0021	cover		35	1		2580.721120	holding angle	
6	6		1106.0801	hex-combi-nut M6		36	2		2016.0867	socket for flow regulator	
7	1		2062.0102	hose fitting G3/8"		37	1		1900.0100	flow regulator blue	
8	11		2066.0205	hose clamp 12-18mm		38	1		1900.0101	flow regulator green	
9	1		2067.0126	pressure hose 100mm long		39	1		2070.0025	drain system cpl.	
10	1		2062.0302	T-fitting		40	1		2070.0013	gasket	
11	1		2067.0103	pressure hose 660mm long							
12	1		2067.0158	pressure hose 920mm long							
13	1		2016.0873	stopper							
14	1		2066.0517	hose clamp 18,2mm							
15	1		2022.0110	pump connection							
16	1		2066.0516	hose clamp 60-80mm							
17	1		2066.0506	hose clamp 20-32mm							
18	2		1006.1960	hexagon cap screw M6x16							
19	2		1206.0120	toothed lock washer A6,4							
20	2		1306.0120	washer A6,4							
21	1		3002.1000	discharging pump	M2						
22	1		3016.1400	door switch	S2						
23	4		2039.0100	foot adjustable							
24	1		2067.0120	pressure hose 1420mm long							
25	1		2067.0115	pressure hose 1220mm long							
26	1		2062.0208	threaded pipe angle G1/2"							
27	1		2067.0130	pressure hose 750mm long							
28	15		4006.0203	hose clamp							
29	9		4006.0201	cable clamp							

**Bottom (Lower elevation)**

Voltage	Group	Page	Edition	Application from Serial. No.
<b>3 N AC 380V 50Hz</b>	<b>9</b>	<b>9.1</b>	<b>9.1.2</b>	<b>06C91042001</b>

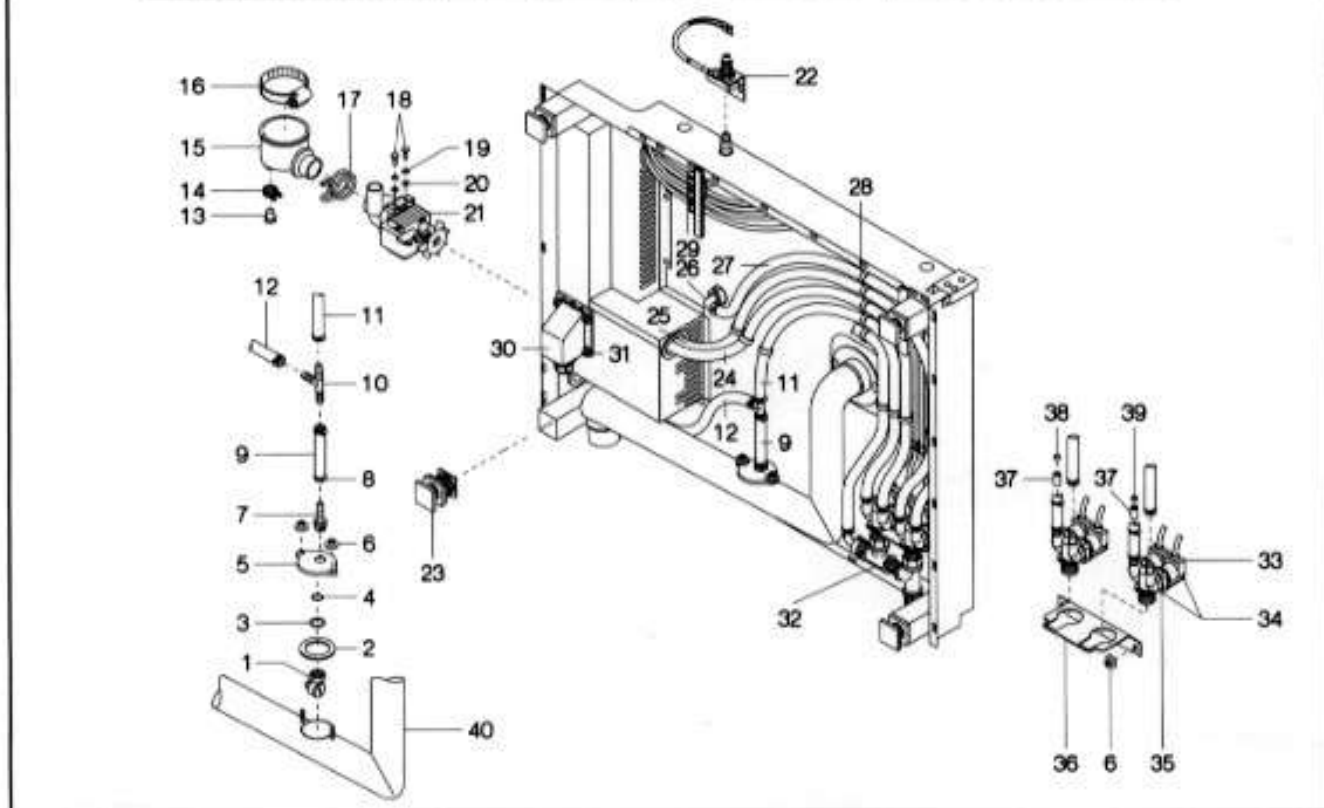


Pos.	Pcs.	Sp.	Part No.	Description	Sign.	Pos.	Pcs.	Sp.	Part No.	Description	Sign.
-	1		8612.0101	quenching nozzle cpl. (pos. 1,2,3,4,5,7)		30	1		3038.0100	terminal box	
1	1		2016.0910	quenching nozzle		31	1		8621.0100	set water connection	
2	1		2070.0020	gasket		32	4		3002.0329	coil	
3	1		2580.600594	washer		33	2		3002.0327	double solenoid valve cpl.	
4	1		5012.0532	O-ring		34	2		3002.0314	body for double solenoid valve	
5	1		2070.0021	cover		35	1		2580.721120	holding angle	
6	6		1106.0801	hex-combi-nut M6		36	2		2016.0867	socket for flow regulator	
7	1		2062.0102	hose fitting G3/8"		37	1		1900.0100	flow regulator blue	
8	11		2066.0205	hose clamp 12-18mm		38	1		1900.0101	flow regulator green	
9	1		2067.0126	pressure hose 100mm long		39	1		2070.0036	drain system cpl..	
10	1		2062.0302	T-fitting							
11	1		2067.0103	pressure hose 660mm long							
12	1		2067.0158	pressure hose 920mm long							
13	1		2016.0873	stopper							
14	1		2066.0517	hose clamp 18,2mm							
15	1		2022.0110	pump connection							
16	1		2066.0516	hose clamp 60-80mm							
17	1		2066.0519	hose clamp 35,5mm							
18	2		1006.1960	hexagon cap screw M6x16							
19	2		1206.0120	toothed lock washer A6,4							
20	2		1306.0120	washer A6,4							
21	1		3002.1000	discharging pump	M2						
22	1		3016.1400	door switch	S2						
23	4		2039.0100	foot adjustable							
24	1		2067.0120	pressure hose 1420mm long							
25	1		2067.0115	pressure hose 1220mm long							
26	1		2062.0208	threaded pipe angle G1/2"							
27	1		2067.0130	pressure hose 750mm long							
28	15		4006.0203	hose clamp							
29	9		4006.0201	cable clamp							



**Bottom (Lower elevation)**

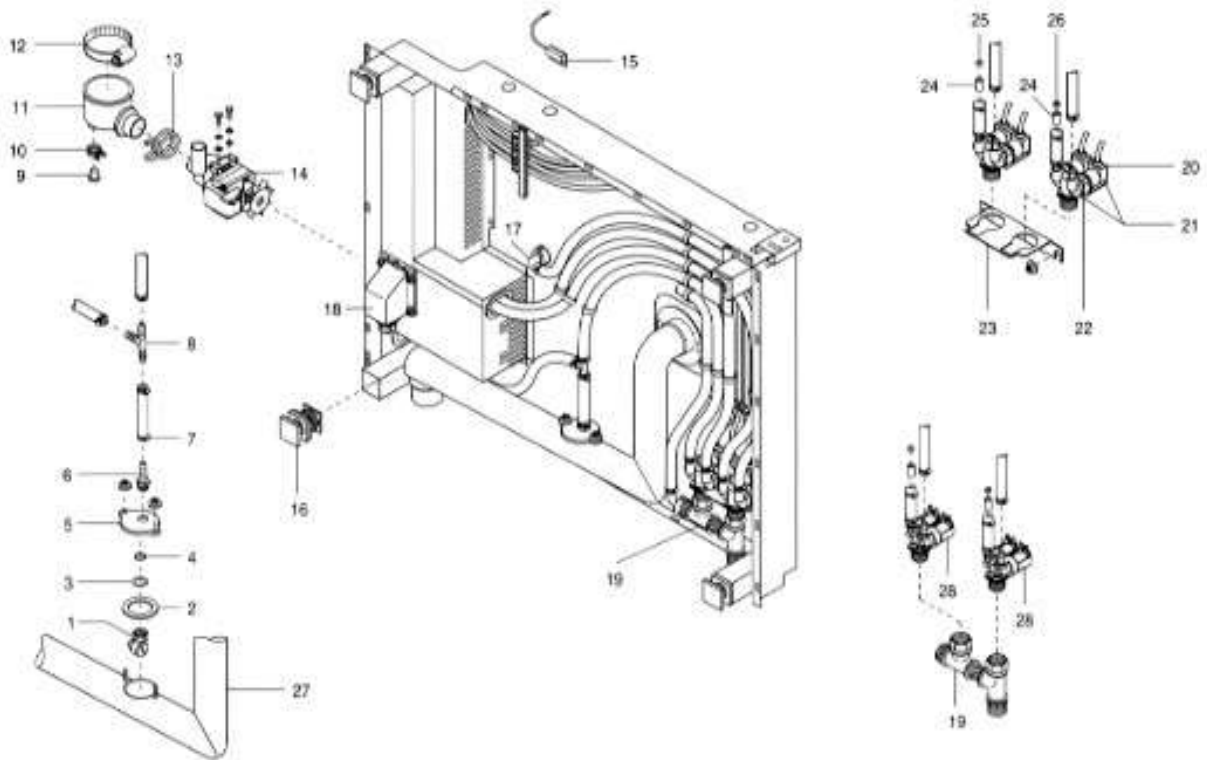
Voltage	Group	Page	Edition	Application from Serial. No.
<b>3 N AC 380V 50Hz</b>	<b>9</b>	<b>9.1</b>	<b>9.1.3</b>	<b>06C92031119</b>



Pos.Pcs.	Sp. Part No.	Description	Sign.	Pos.Pcs.	Sp. Part No.	Description	Sign.
-	1	8612.0101	quenching nozzle cpl. (pos. 1,2,3,4,5,7)	30	1	8801.0205	terminal box
1	1	2016.0910	quenching nozzle	31	4	1105.0122	hex-combi-nut M5
2	1	2070.0020	gasket	32	1	8621.0100	set water connection
3	1	2580.600594	washer	33	4	3002.0329	coil
4	1	5012.0532	O-ring	34	2	3002.0327	double solenoid valve cpl.
5	1	2070.0021	cover	35	2	3002.0314	body for double solenoid valve
6	6	1106.0801	hex-combi-nut M6	36	1	2580.721120	holding angle
7	1	2062.0102	hose fitting G3/8"	37	2	2016.0867	socket for flow regulator
8	11	2066.0205	hose clamp 12-18mm	38	1	1900.0100	flow regulator blue
9	1	2067.0126	pressure hose 100mm long	39	1	1900.0101	flow regulator green
10	1	2062.0302	T-fitting	40	1	2070.0036	drain system cpl..
11	1	2067.0103	pressure hose 660mm long				
12	1	2067.0158	pressure hose 920mm long				
13	1	2016.0873	stopper				
14	1	2066.0517	hose clamp 18,2mm				
15	1	2022.0110	pump connection				
16	1	2066.0516	hose clamp 60-80mm				
17	1	2066.0519	hose clamp 35,5mm				
18	2	1006.1960	hexagon cap screw M6x16				
19	2	1206.0120	toothed lock washer A6,4				
20	2	1306.0120	washer A6,4				
21	1	3002.1000	discharging pump	M2			
22	1	3016.1400	door switch	S2			
23	4	2039.0100	foot adjustable				
24	1	2067.0120	pressure hose 1420mm long				
25	1	2067.0115	pressure hose 1220mm long				
26	1	2062.0208	threaded pipe angle G1/2"				
27	1	2067.0130	pressure hose 750mm long				
28	15	4006.0203	hose clamp				
29	9	4006.0201	cable clamp				



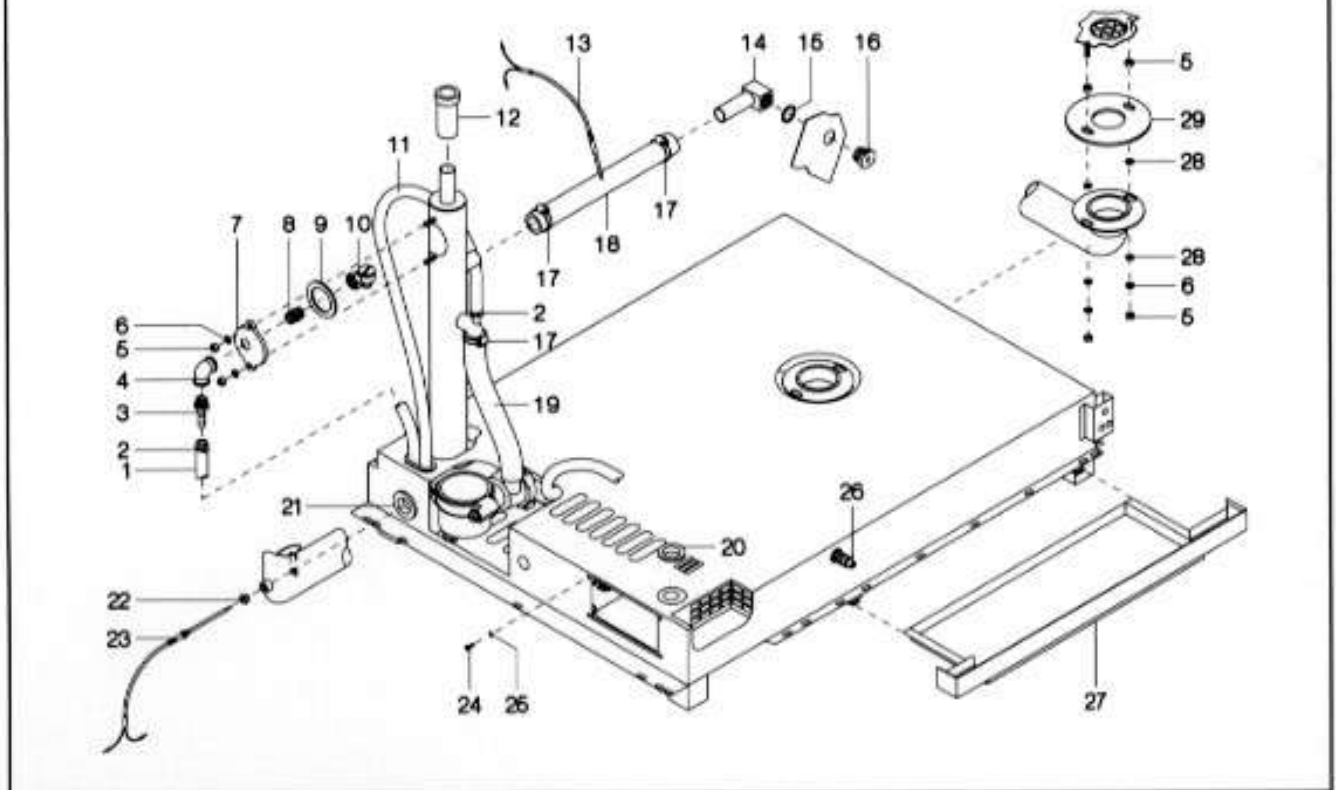
<b>Bodengruppe</b> (Unterseite)	Spannung	Baugruppe	Ausgabe	gültig ab Seriennummer
<b>Bottom</b> (Lower elevation)	Voltage	Group	Edition	Applicable from Serial.No.
	3 N AC 400V 50Hz	9	9.1.4	06C96011001



Pos.	St.	Ersatzl.Nr.	Bezeichnung	Description
Pos.	Pcs.	Sp. Part No.		
-	-	2067.0050	Druckschlauch NW10 1 lfm.	Pressure hose NW10 per meter
-	1	8612.0101	Ablöschdüse kpl. unten	Quench nozzle cpl. down
1	1	2016.0910	Ablöschdüse	Quenching nozzle
2	1	2070.0020	Dichtung für Ablöschung	Gasket for quenching
3	1	2580.600594	Scheibe für Ablöschdüse	washer for quench.nozzle
4	1	5012.0532	O-Ring Ablöschung	O-ring quenching nozzle
5	1	2070.0021	Deckel für Ablöschung	Holding cover for quenching nozzle
6	1	2062.0102	Schlauchtülle G3/8"	Hose fitting G 3/8"
7	9	2066.0205	Schlauchschelle 12-18 mm	Hose clamp 12-18 mm
8	1	2062.0302	T-Stück TS 10	T-fitting TS10
9	1	2016.0873	Stopfen für Pumpenanschluß	Plug for pump connection
10	1	2066.0517	Schlauchklemme 18,2mm	Hose clamp 18,2mm
11	1	2022.0110	Pumpenanschluss ab 04/91	Pump connection from 04/91
12	1	2066.0516	Schlauchschelle 60-80mm	Hose clamp 60x80 mm
13	1	2066.0519	Schlauchklemme d 35,6 mm	Hose clamp 35,6mm
14	1	3002.1000	Entleerungspumpe 200-240 V, 50/60 Hz	Emptying pump 200-240V 50/60 Hz
15	1	3016.1415	Türkontaktschalter	Door contact switch
16	1	2039.0100	Kunststoff-Einsteckfuß	Foot adjustable plastic
-	1	2062.0208	Winkelverschraubung G1/2"x10	Elbow Nipple 1/2"x10mm
17	1	5012.0539	Dichtung Winkelverschraubung G1/2"	Gasket for G1/2" threaded joint
18	1	8801.0205	Anschlußkasten kpl.	Terminal box cpl.
19	1	8621.0100	Fittingsatz Wasseranschluß	Fitting set water connection
20	-	3002.0329	Magnetventilschule 220-240V 50/60Hz	Coil for solenoid valve 220-240V 50/60Hz
21	2	3002.0327	Doppelmagnetventil kpl.	Double solenoid valve cpl.
22	-	3002.0314	Gehäuse für Doppelmagnetventil	body for double solenoid valve
23	1	2580.721120	Haltewinkel für Zweifachmagnetventil	Bracket for double solenoid valve
24	2	2016.0867	Aufnahme für Durchflußmengenregler	Socket for flow controller
25	1	1900.0100	Durchflußmengenregler blau, Typ 6	Flow controller blue
26	1	1900.0101	Durchflußmengenregler grün, Typ 101	Flow controller green
27	1	2070.0036	Abflußsystem 1-teilig,	Drain system model 6
<b>ab Seriennummer 06C9603XXXX</b>				<b>from serial. no. 06C9603XXXX</b>
28	2	3002.0330	Doppelmagnetventil kpl.	Double solenoid valve cpl.

**Bottom (Top elevation)**

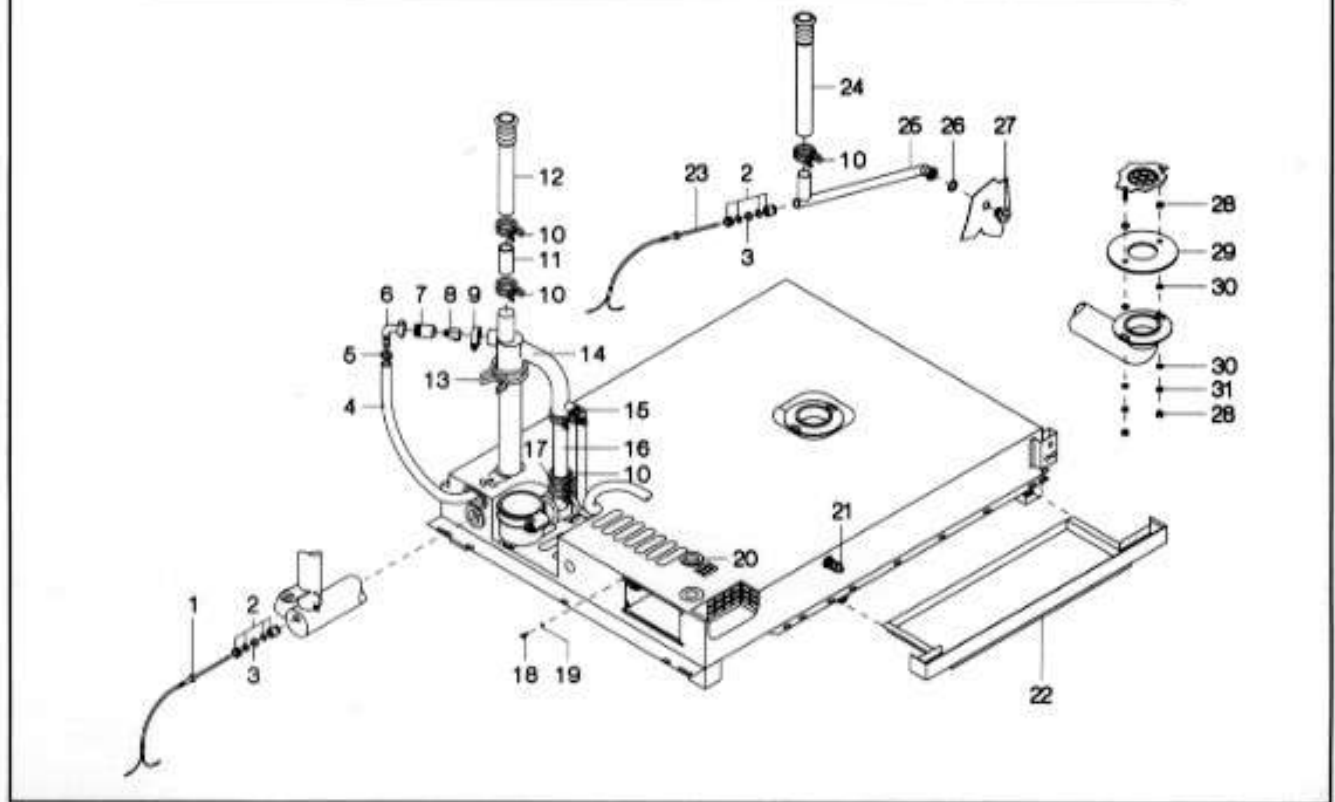
Voltage	Group	Page	Edition	Application from Serial. No.
<b>3 N AC 380V 50Hz</b>	<b>8</b>	<b>8.1</b>	<b>8.1.1</b>	<b>06C90051001</b>



Pos.	Pcs.	Sp.	Part No.	Description	Sign.
-	1		8612.0104	quenching nozzle cpl. (pos. 3,4,7,8,9,10)	
1	1		2067.0125	pressure hose 900mm long	
2	4		2066.0205	hose clamp 12-18mm	
3	1		2062.0102	hose fitting G3/8"	
4	1		2064.0300	fitting G3/8", angle 90°	
5	6		1106.0160	hex nut M6	
6	4		1206.0120	toothhead lock washer A6,4	
7	1		2070.0021	cover	
8	1		2064.0200	double nipple G3/8"	
9	1		2070.0020	gasket	
10	1		2016.0910	quenching nozzle	
11	1		2067.0122	pressure hose 1900mm long	
12	1		4016.0102	air inlet grommet	
13	1		3014.0150	sensor bypass	
14	1		8450.0101	fitting G1/2", angle 90°	
15	1		1315.0100	copper washer	
16	1		2016.0857	bypass nozzle G1/2"	
17	5		2066.0506	hose clamp 20-32mm	
18	1		2067.1605	silicone hose 285mm long	
19	1		2067.1610	silicone hose 250mm long	
20	1		2022.0105	grommet	
21	2		4016.0450	grommet	
22	1		2016.0879	reducing nipple	
23	1		3014.0151	sensor quenching	
24	4		1004.0660	hex socket head screw M4x10	
25	4		1204.0120	toothhead lock washer A4,3	
26	1		3016.1403	door switch	S2
27	1		8100.0115	drip collector	
28	2		1306.0221	washer A6,4	
29	1		5012.0525	gasket	

**Bottom (Top elevation)**

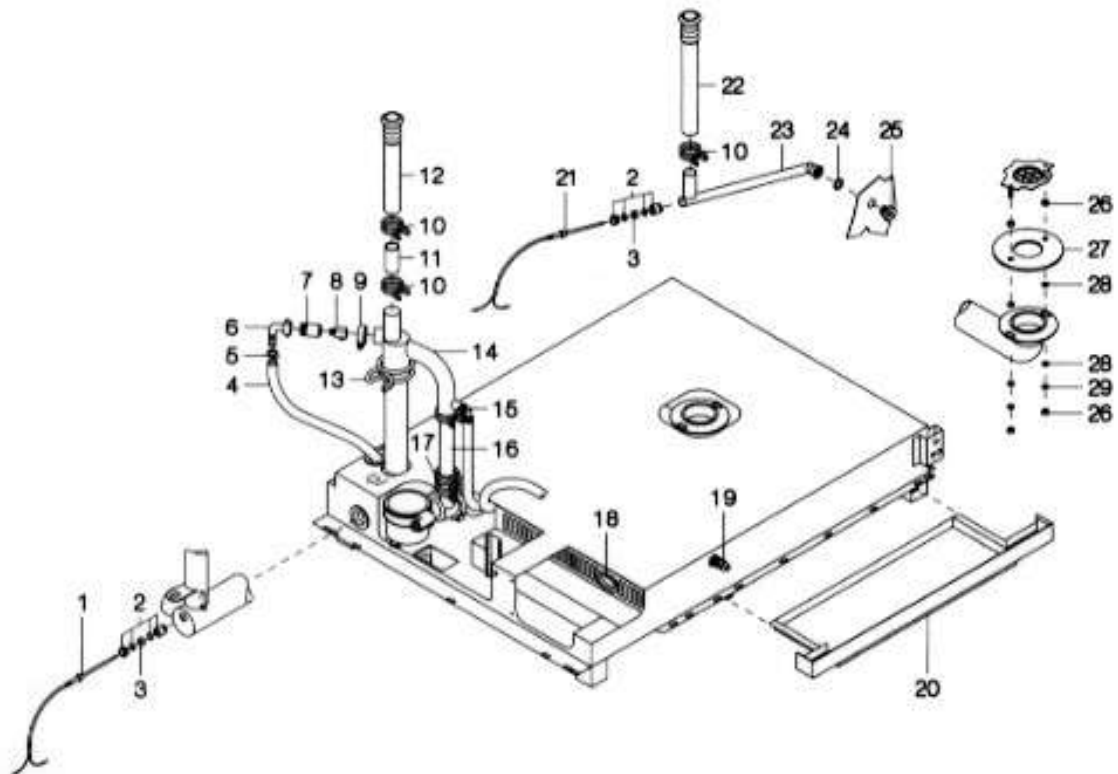
Voltage	Group	Page	Edition	Application from Serial. No.
<b>3 N AC 380V 50Hz</b>	<b>8</b>	<b>8.1</b>	<b>8.1.2</b>	<b>06C91042001</b>



Pos.	Pcs.	Sp.	Part No.	Description	Sign.
-	1		8612.0110	quenching nozzle cpl. (pos.7,8)	
1	1		3014.0156	sensor quenching	
2	2		4007.0600	cable connection PG9	
3	2		2022.0100	gasket	
4	1		2067.0163	pressure hose 800mm long	
5	4		2066.0205	hose clamp 12-18mm	
6	1		2062.0208	threaded pipe angle G1/2"	
7	1		2016.0883	screwing for quenching nozzle	
8	1		2016.0916	quenching nozzle	
9	1		2066.0506	hose clamp 20-32mm	
10	3		2066.0518	hose clamp 30mm	
11	1		2610.420319	PP-pipe 50mm long	
12	1		4016.0102	air inlet grommet	
13	1		2066.0520	hose clamp 46mm	
14	1		2022.0201	drain elbow	
15	1		2062.0301	plastic elbow fitting	
16	1		2644.260289	PP-pipe 140mm long	
17	1		2022.0202	hose connection pipe 40mm long	
18	4		1004.0660	hex socket head screw M4x10	
19	4		1204.0120	toothed lock washer A4,3	
20	3		4016.0450	grommet	
21	1		3016.1403	door switch	S2
22	1		8100.0115	drip collector	
23	1		3014.0156	sensor bypass	
24	1		4016.0101	air inlet grommet	
25	1		2071.0100	bypass pipe	
26	1		1315.0104	copper washer	
27	1		2016.0920	bypass nozzle	
28	6		1106.0160	hex nut M6	
29	1		5012.0525	gasket	
30	4		1306.0221	washer A6,4	
31	2		1206.0120	toothed lock washer A6,4	

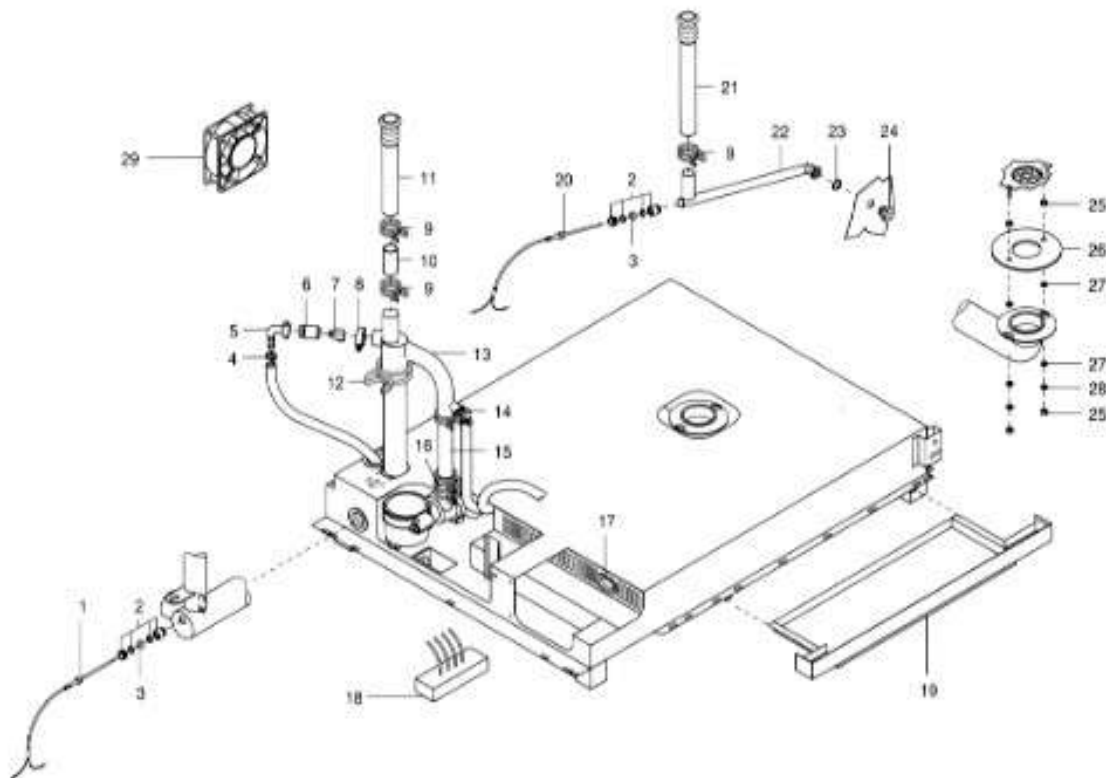
**Bottom (Top elevation)**

Voltage	Group	Page	Edition	Application from Serial. No.
<b>3 N AC 380V 50Hz</b>	<b>8</b>	<b>8.1</b>	<b>8.1.3</b>	<b>06C92031119</b>



Pos.	Pcs.	Sp.	Part No.	Description	Sign.
-	1		8612.0110	quenching nozzle cpl. (pos.7,8)	
1	1		3014.0156	sensor quenching	
2	2		4007.0600	cablc connection PG9	
3	2		2022.0100	gasket	
4	1		2067.0163	pressure hose 800mm long	
5	4		2066.0205	hose clamp 12-18mm	
6	1		2062.0208	threaded pipe angle G1/2"	
7	1		2016.0883	screwing for quenching nozzle	
8	1		2016.0916	quenching nozzle	
9	1		2066.0506	hose clamp 20-32mm	
10	3		2066.0518	hose clamp 30mm	
11	1		2610.420319	PP-pipe 50mm long	
12	1		4016.0102	air inlet grommet	
13	1		2066.0520	hose clamp 46mm	
14	1		2022.0201	drain elbow	
15	1		2062.0301	plastic elbow fitting	
16	1		2644.260289	PP-pipe 140mm long	
17	1		2022.0202	hose connection pipe 40mm long	
18	3		4016.0450	grommet	
19	1		3016.1403	door switch	S2
20	1		8100.0115	drip collector	
21	1		3014.0156	sensor bypass	
22	1		4016.0101	air inlet grommet	
23	1		2071.0100	bypass pipe	
24	1		1315.0104	copper washer	
25	1		2016.0920	bypass nozzle	
26	6		1106.0160	hex nut M6	
27	1		5012.0525	gasket	
28	4		1306.0221	washer A6,4	
29	2		1206.0120	toothed lock washer A6,4	

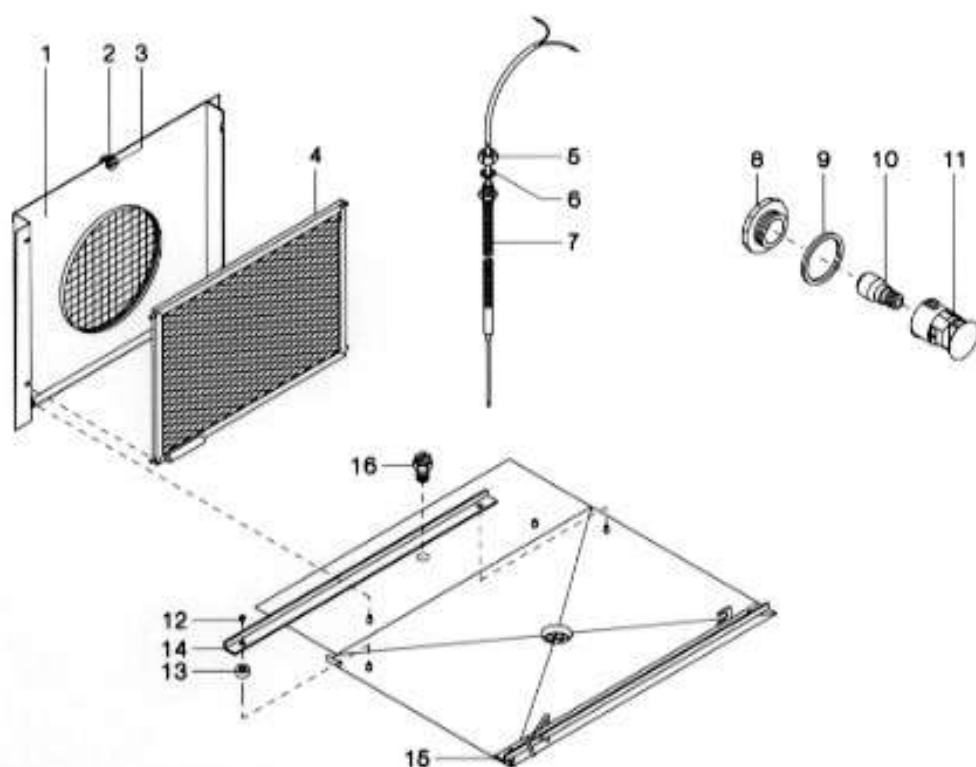
<b>Bodengruppe (Oberseite)</b>	Spannung	Baugruppe	Ausgabe	gültig ab Seriennummer
<b>Bottom (Top elevation)</b>	Voltage	Group	Edition	Applicable from Serial.No.
	3 N AC 400V 50Hz	8	8.1.4	06C96011001



Pos.	St.	Ersatz.Nr.	Bezeichnung	Description
Pos.	Pcs.	Sp. Part No.		
-	-	2067.0050	Druckschlauch NW 10 11fm.	Pressure hose NW10 per meter
-	1	8612.0110	Ablöschdüse oben kpl. (Pos. 7,8)	Quench nozzle top (pos. 7,8)
1	1	3014.0156	Fühler Ablöschung/Bypass	Sensor bypass/quenching
2	2	4007.0600	Kabelverschraubung PG 9 Metall	Cable connection PG9
3	2	2022.0100	Silikondurchführung rot 15x4mm	Silicone gasket red
4	4	2066.0205	Schlauchselle 12-18 mm	Hose clamp 12-18 mm
5	1	2062.0208	Winkelverschraubung G1/2"x10	Elbow Nipple 1/2"x10mm
-	1	5012.0539	Dichtung Winkelverschraubung G1/2"	Gasket for G1/2" threaded joint
6	1	2016.0883	Verschraubung Ablöschdüse	Threaded connection for quenching nozzle
7	1	2016.0916	Ablöschdüse oben	Quenching nozzle top
8	1	2066.0506	Schlauchselle 20-32mm	Hose clamp 20-32mm
9	6	2066.0518	Schlauchklemme 30mm	Hose clamp 30mm
10	1	2610.420319	PP-Rohr 50mm lang Typ 6 Ablaufbelüftung	PP-pipe 50mm type 6 drain vent
11	1	4016.0102	Entlüftungstülle 200mm ab 04/91	Vent grommet 200mm from 4/91
12	1	2066.0520	Schlauchklemme d 47 mm	Hose clamp 47 mm
13	1	2022.0201	Abflußkrümmer ab 04/91	Drain elbow from 04/91
14	1	2062.0301	Winkelschlauchfitting WS 10	Angle fitting plastic WS 10
15	1	2644.260289	PP-Rohr 140mm Typ 6 für Pumpenanschluß	PP-pipe 140 mm type 6 pump connection
16	1	2022.0202	Schlauchstutzen 40mm SC-Pumpe	Hose connection piece 40 mm SC-pump
17	3	4016.0450	Formtülle	Vent grommet
18	1	3001.0452	Entstörfilter	Electronic noise filter
19	1	8100.0115	Fettaufangwanne	Drip collector
20	1	3014.0156	Fühler Ablöschung/Bypass	Sensor bypass/quenching
21	1	4016.0101	Entlüftungstülle 250mm	Vent grommet 250mm
22	1	2071.0100	Bypassrohr	Bypass pipe
23	1	1315.0104	Kupferdichtung 16x20x1,5	Copper washer 16x20x1,5
24	1	2016.0920	Bypassdüse ab 04/91	Bypass nozzle from 4/91
25	6	1106.0160	Sechskantmutter M6	Hex nut M6
26	1	5012.0555	Dichtung Bodenablauf	gasket for drain
27	4	1306.0221	Unterscheibe A6,4 DIN9021	Washer A6,4 DIN125
28	2	1206.0120	Zahnscheibe A6,4	Toothed lock washer A6,4
29	1	3101.1008	Kühllüfter	Cooling motor

**Interior Cabinett**

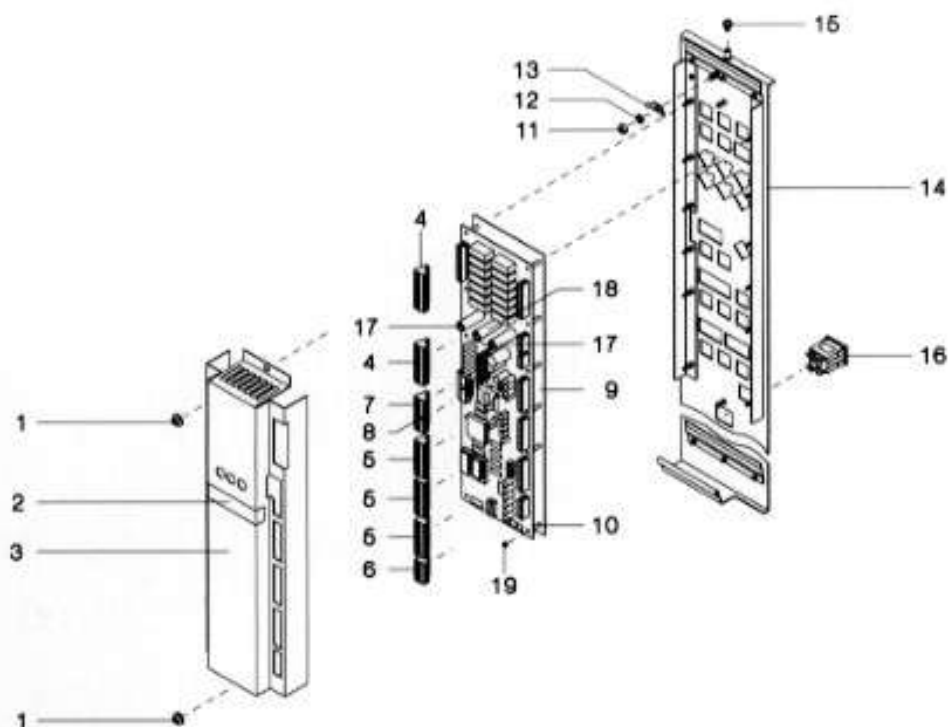
Voltage	Group	Page	Edition	Application from Serial. No.
3 N AC 380V 50Hz	6	6.1	6.1.1	06C90051001



Pos.Pcs.	Sp.	Part No.	Description	Sign.
-	2	3023.0501	interior lamp cpl.	
1	1	8011.1105	air baffle cpl.	
2	1	2043.0203	holder plate for quick acting closure	
3	1	2043.0201	locking pin	
4	1	2010.0905	fat filter	
5	1	1112.0160	hex nut M12	
6	1	3035.0606	copper washer	
7	1	3035.0623	sensor core temperature	
8	2	3025.0002	lamp lens	
9	2	5012.0535	gasket	
10	2	3024.0200	bulb, heat resistant	
11	2	3023.0502	socket for interior lamp	H1,H2
12	4	2031.1000	spacer	
13	1	8400.0160	rail left	
14	1	8400.0162	rail right	
15	4	1005.0467	countersunk screw with slot M5x8	
16	1	2035.0110	nozzle for moistening	

**Control Panel**

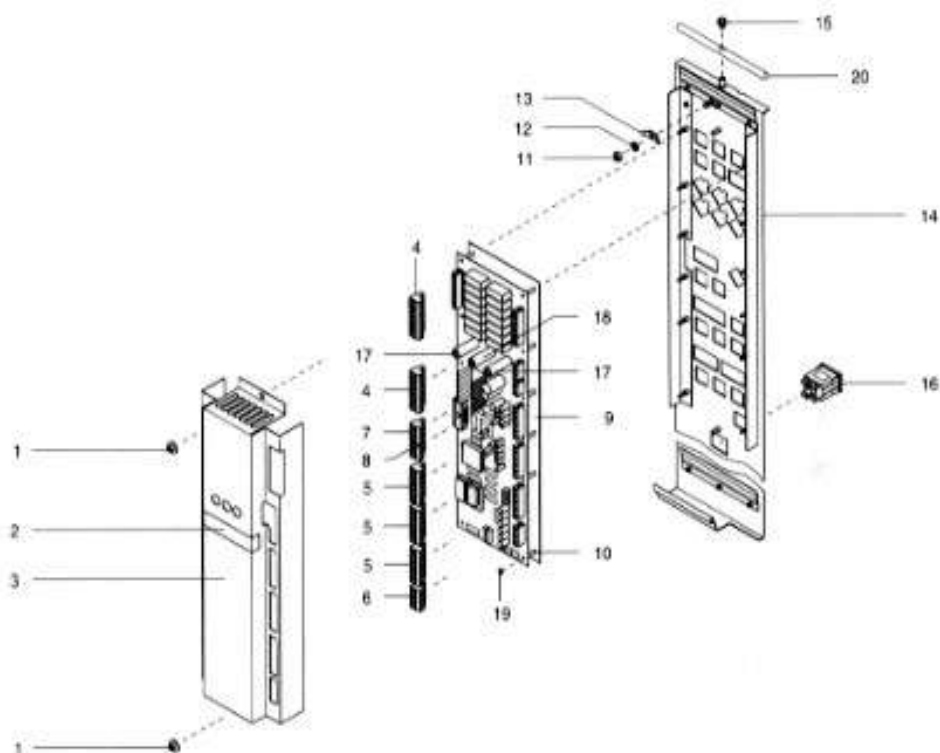
Voltage	Group	Page	Edition	Application from Serial. No.
<b>3 N AC 380V 50Hz</b>	<b>1</b>	<b>1.1</b>	<b>1.1.1</b>	<b>06C90051001</b>



Pos.	Pcs.	Sp.	Part No.	Description	Sign.
1	2		1105.0122	hex-combi-nut M5	
2	1		4019.0017	pressure sensitive for cover	
3	1		8401.0021	cover for CC-pcb	
4	2		3040.0198	multipoint connector BL11	
5	3		3040.0197	multipoint connector BL10	
6	1		3040.0196	multipoint connector BL6	
7	1		3040.0195	multipoint connector BL5	
8	1		3040.0194	multipoint connector BL4	
9	1		3040.2030	pcb-CC cpl.	A1
10	12		1403.0165	hexagon bolt M3x15	
11	1		1106.0160	hex nut M6	
12	1		1206.0120	toothhead lock washer A6,4	
13	1		4002.0110	branch plug	
14	1		8600.0300	front panel with control panel	
15	1		1005.2000	safety screw M5x8	
16	1		3016.1430	main switch	S1
17	2		3019.0113	fuse 1,6A	A1/F1,A1/F3
18	2		3019.0119	fuse 1A	A1/F2,A1/F4
19	12		1403.0164	hex nut M3x5	



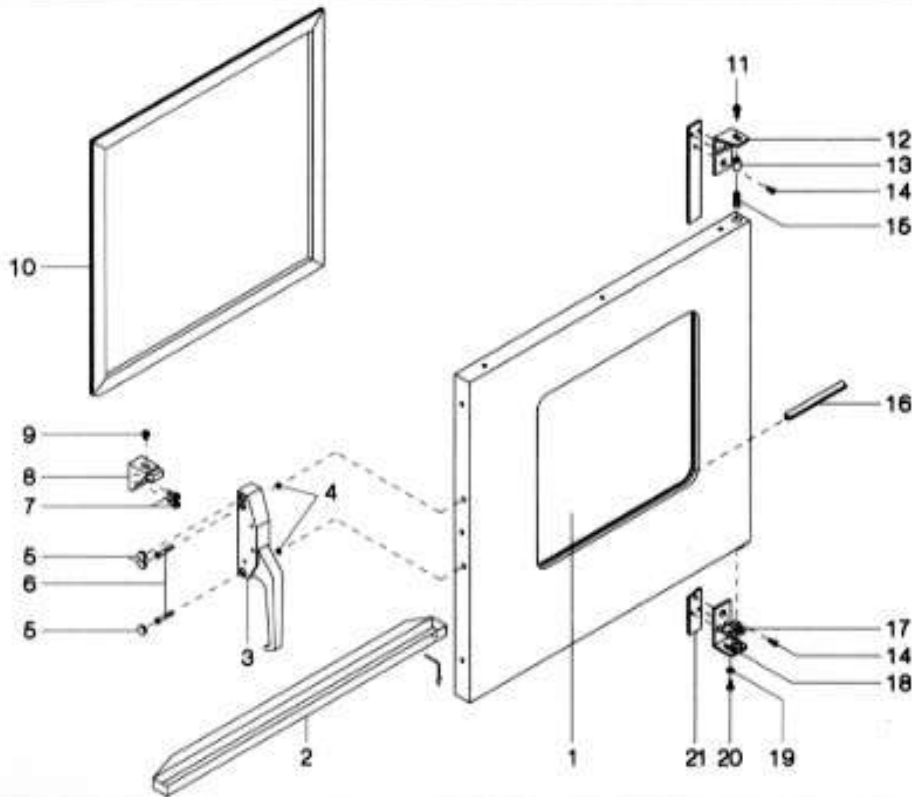
<b>Bedienblende</b> <b>Control Panel</b>	Spannung Voltage	Baugruppe Group	Ausgabe Edition	gültig ab Seriennummer Applicable from Serial.No.
	3 N AC 400V 50Hz	1	1.1.2	06C96011001



Pos.	St.	Ersatz.Nr.	Bezeichnung	Description
Pos.	Pcs.	Sp. Part No.		
1	2	1105.0122	Sechskant-Combi-Mutter M5	Hex combination nut M5
2	1	4019.0017	Aufkleber für Abdeckung	Pressure sensitive for cover
3	1	8401.0021	Abdeckung CC-Platine	Cover for CC-pcb
4	2	3040.0198	Steckerleiste BL 11 CC-Platine	Multipoint connector BL11 CC PCB
5	3	3040.0197	Steckerleiste BL 10 CC-Platine	Multipoint connector BL10 CC PCB
6	1	3040.0196	Steckerleiste BL 6 CC-Platine	Multipoint connector BL6 CC PCB
7	1	3040.0195	Steckerleiste BL 5 CC-Platine	Multipoint connector BL5 CC PCB
8	1	3040.0194	Steckerleiste BL 4 CC-Platine	Multipoint connector BL4 CC PCB
9	1	3040.2020	Regel-u. Steuerelektronik CC	PCB type CC
10	12	1403.0165	Abstandsbolzen M3x15	Space bolt M3x15
11	1	1106.0160	Sechskantmutter M6	Hex nut M6
12	1	1206.0120	Zahnscheibe A6,4	Toothed lock washer A6,4
13	1	4002.0110	Steckverteiler 2-fach, 100 Stk.	Cable connector, junction, 100 ea
14	1	8600.0300	Frontplatte mit Blende	Front panel with overlay
15	1	1005.2000	Sperrzahnschraube M5x8	Interlocking tooth screw M5x8
16	1	3016.1430	Druckschalter Ein/Aus Typ CC	Main switch type CC
17	2	3019.0113	Feinsicherung 5x20 1,6A	Fuse 1,6 A
18	2	3019.0119	Feinsicherung 5x20 1,0A	Fuse 1A
19	12	1403.0164	Sechskantmutter M3x5	Hex nut M3x5
20	1	5012.0556	Dichtung für Bedienblende	Front panel gasket

**Door**

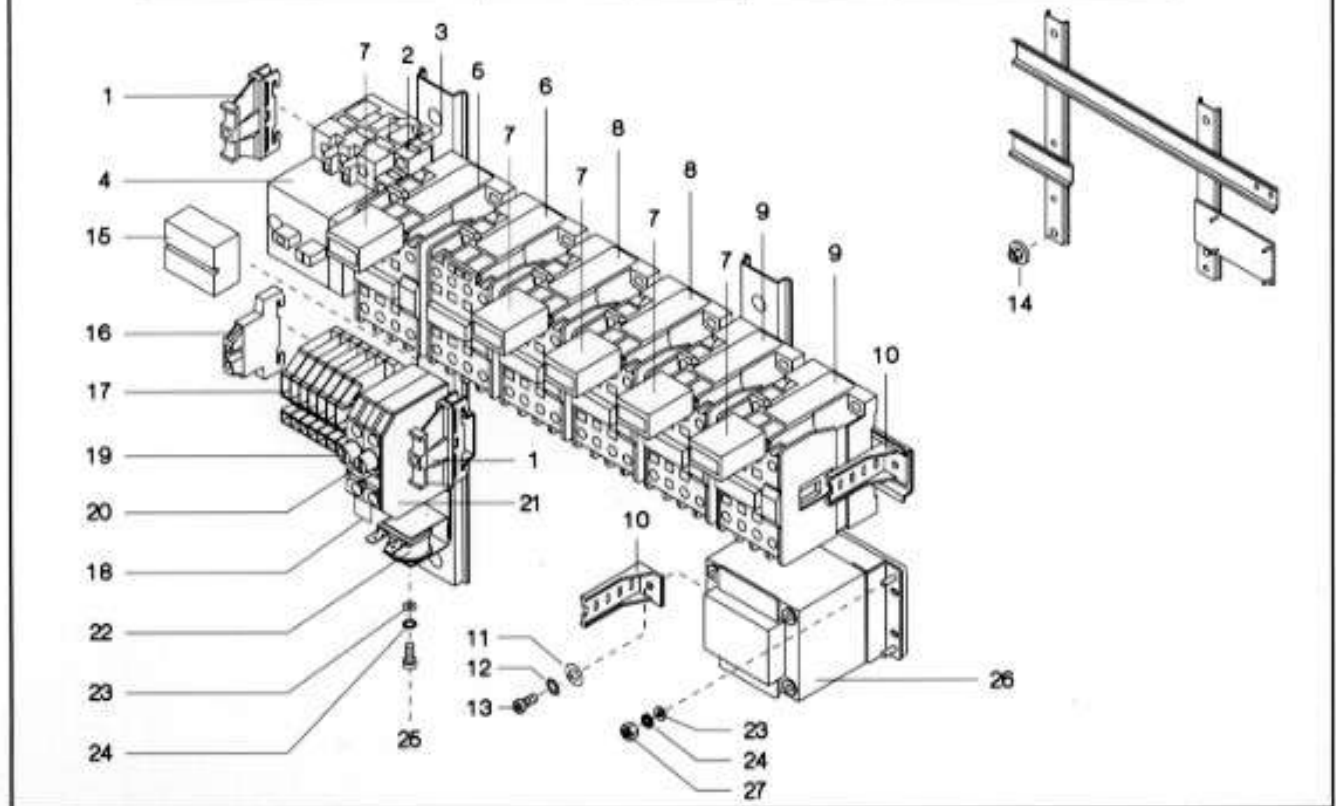
Voltage	Group	Page	Edition	Application from Serial. No.
<b>3 N AC 380V 50Hz</b>	<b>7</b>	<b>7.1</b>	<b>7.1.2</b>	<b>06C91042001</b>



Pos.	Pcs.	Sp.	Part No.	Description	Sign.
-	1		8201.1501	door cpl.	
1	1		5015.1000	door window	
2	1		2530.031166	door drip collector	
3	1		2016.1100	door lock	
4	2		1305.0260	washer A5,3	
5	3		2016.1102	end-cap door lock	
6	2		1005.1964	socket countersunk head cap screw M5x30	
7	3		1005.2100	safety screw M5x16	
8	1		2016.0610	door catch	
9	2		1005.2000	safety screw M5x8	
10	1		5012.0703	door gasket	
11	1		1008.0752	hexagon cap screw M5x10	
12	1		8440.1000	door holder on top	
13	1		2016.0801	door bolt	
14	6		1005.1960	socket countersunk head cap screw M5x16	
15	1		2001.0108	compression spring	
16	1		5012.0201	set gasket for door window	
17	1		2016.0884	door locking plate	
18	1		2630.210311	door holder below	
19	2		1205.0362	spring washer A5,3	
20	1		1008.0752	hexagon cap screw M5x10	
21	1		2630.200315	door holding bracket	

**Elektrical Installation**

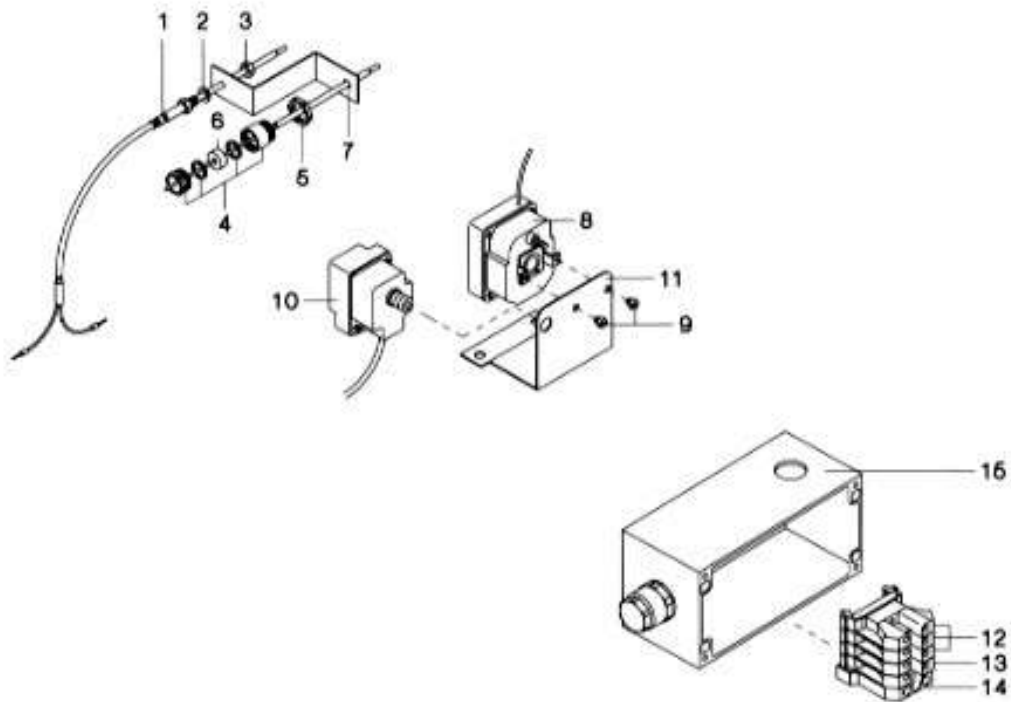
Voltage	Group	Page	Edition	Application from Serial. No.
<b>3 N AC 380V 50Hz</b>	<b>2</b>	<b>2.1</b>	<b>2.1.1</b>	<b>06C90051001</b>



Pos.	Pcs.	Sp. Part No.	Description	Sign.
1	2	4001.1203	end plate	
2	1	3031.0101	motor protector cpl.	F2
3	-	3031.0101	auxiliary contact for F2	
4	-	3031.0105	motor protector	
5	1	3028.0506	motor contactor	K2
6	1	3028.0511	main contactor	K1
7	5	3035.0515	RC-link	C1-C6
8	2	3028.0506	contactor part load hot air	K3,K4
9	2	3028.0506	contactor part load steam	K5,K6
10	2	2020.0400	cable holder	
11	2	1304.0160	washer A4,3	
12	2	1204.0120	toothhead lock washer A4,3	
13	2	1004.0660	hex socket head screw M4x10	
14	4	1106.0801	hex-combi-nut M6	
15	1	3035.0509	RC-link	C7
16	1	4001.1222	earth terminal 4mm	
17	7	4001.1176	terminal block	
18	2	4001.1228	fuse holder	F1,F5
19	1	3019.0120	fuse 2A	F1
20	1	3019.0400	fuse 0,5A	F5
21	1	4001.1227	cover for fuse holder	
22	1	3006.0101	alarm buzzer	T1
23	5	1304.0150	washer A3,2	
24	5	1203.0120	toothhead lock washer A3,2	
25	1	1003.0120	low-head screw M3x10	
26	1	3037.0210	transformer 220V	T2
27	4	1104.0120	hex nut M4	

**Electrical Installation**

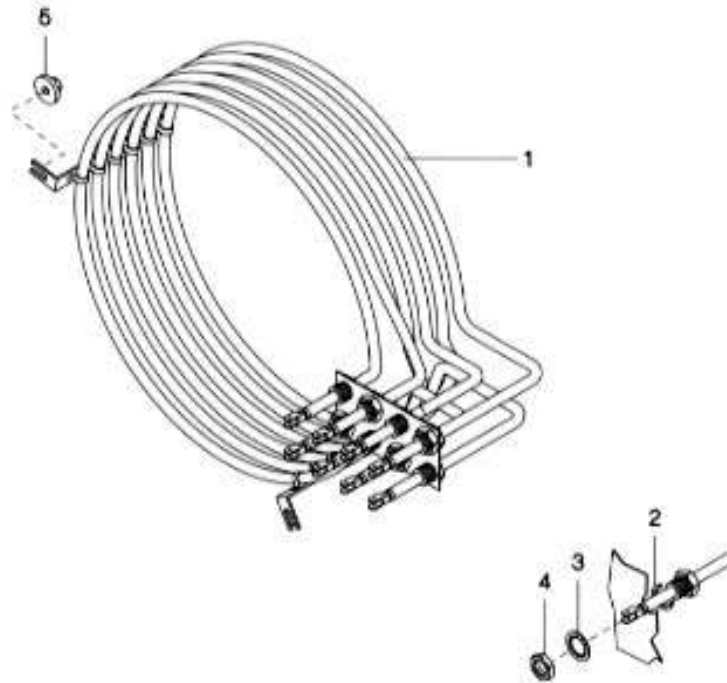
Voltage	Group	Page	Edition	Application from Serial. No.
3 N AC 380V 50Hz	2	2.2	2.2.1	06C90051001



Pos.	Pcs.	Sp.	Part No.	Description	Sign.
1	1		3014.0151	interior cabinet sensor	
2	1		1315.0101	copper washer	
3	1		1106.0160	hex nut M6	
4	1		4007.0600	cable connection PG9	
5	1		4007.0601	hex nut PG9	
6	1		2022.0100	gasket	
7	1		2520.400212	holding angle	
8	1		3014.0310	bi-limit safety thermostat 360°C	F3
9	2		1004.0060	slotted pan head screw M4x4	
10	1		3014.0300	bi-limit safety thermostat 125°C	F4
11	1		2520.311089	holding angle	
12	3		4001.1202	terminal block grey 16mm	
13	1		4001.1250	terminal block blue 16mm	
14	1		4001.1210	earth terminal 16mm	
15	1		3038.0100	terminal box	

**Hot Air Heating**

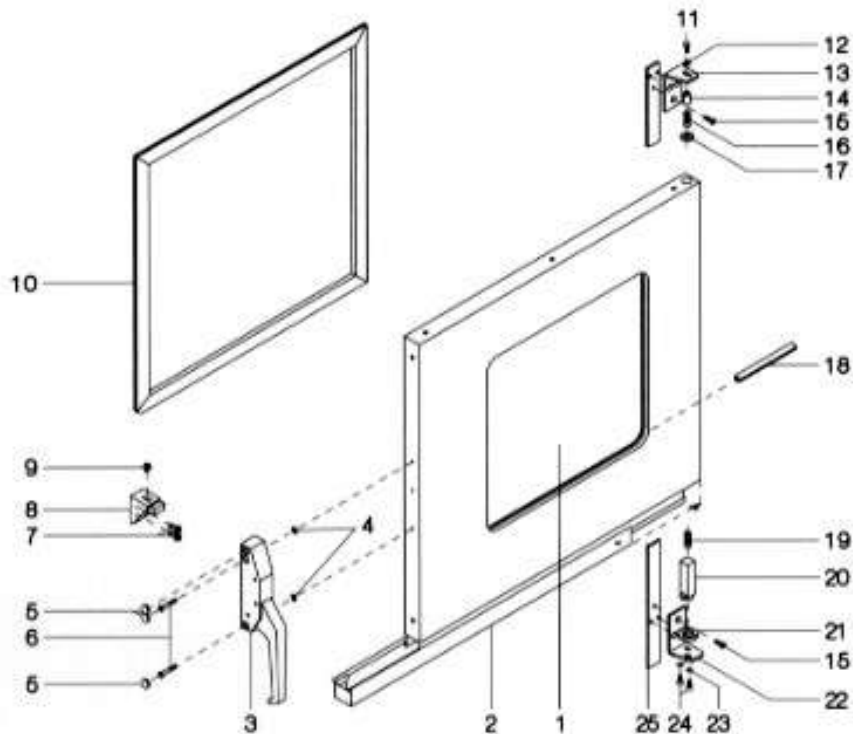
Voltage	Group	Page	Edition	Application from Serial. No.
<b>3 N AC 380V 50Hz</b>	<b>4</b>	<b>4.1</b>	<b>4.1.1</b>	<b>06C90051001</b>



Pos.	Pcs.	Sp.	Part No.	Description	Sign.
1	1		3004.3524	heating assembly 9kW	
2	8		3004.1404	copper washer	
3	8		3004.1405	toothhead lock washer	
4	8		3004.1406	hex nut M14	
5	2		1106.0801	hex-combi-nut M6	

**Door**

Voltage	Group	Page	Edition	Application from Serial. No.
<b>3 N AC 380V 50Hz</b>	<b>7</b>	<b>7.1</b>	<b>7.1.1</b>	<b>06C90051001</b>



Pos.	Pcs.	Sp.	Part No.	Description	Sign.
-	1		8201.10180489	door cpl.	
1	1		5015.1000	door window	
2	1		8100.0116	door drip collector	
3	1		2016.1100	door lock	
4	2		1305.0260	washer A5,3	
5	3		2016.1102	end-cap door lock	
6	2		1005.1964	socket countersunk head cap screw M5x30	
7	3		1005.2100	safety screw M5x16	
8	1		2016.0610	door catch	
9	2		1005.2000	safety screw M5x8	
10	1		5012.0703	door gasket	
11	1		1008.0752	hexagon cap screw M5x10	
12	1		1305.0360	washer A5,3	
13	1		8440.1000	door holder on top	
14	1		2016.0801	door bolt	
15	6		1005.1960	socket countersunk head cap screw M5x16	
16	1		2001.0107	compression spring	
17	1		1310.0160	washer	
18	1		5012.0201	set gasket for door window	
19	1		2001.0105	compression spring	
20	1		2016.0865	door locking bolt	
21	1		2016.0864	door locking plate	
22	1		8440.1006	door holder below	
23	2		1205.0362	spring washer A5,3	
24	1		1008.0752	hexagon cap screw M5x10	
25	1		8440.1007	door holding bracket	

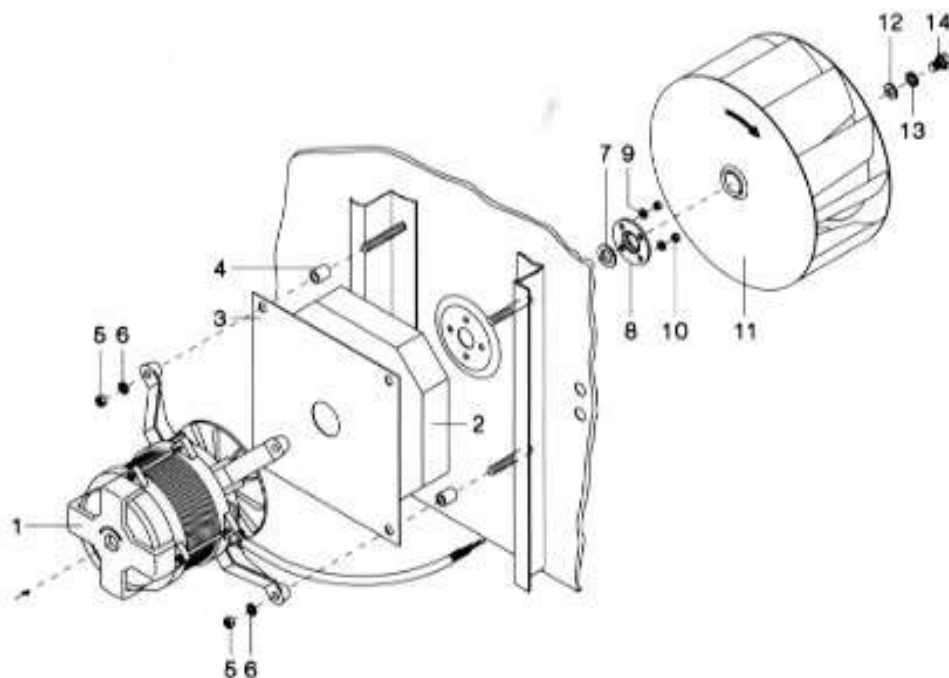
**Miscellaneous**

Pos.	Pcs.	Sp.	Part No.	Description	Sign.
1			1003.2260	slotted raised countersunk head screw 4,2x16	
2			1004.2160	hex head tapping screw 4,2x16	
3			1104.0821	climp V2A	
4			1311.2260	rosette 5x12,5	
5			2001.0042	screw locking, heat resistant 10ml	
6			2005.0403	castor without brake	
7			2005.0404	castor with brake	
8			2067.0050	pressure hose NW10 1m	
9			4002.0100	cable shoes 2,5x6,3	
10			5006.0200	silicone (tube)	
11			5006.0500	gule for insulation plate steam generator	
12			5006.1100	insulation steam generator type 6 cpl.	
13			6004.0100	spray-pistol	
14			6004.0101	lengthening piece for spray-pistol	
15			6004.0102	gasket for spray-pistol	
16			6004.0200	hand pump for descaler	
17			6004.0202	lamp lens key	
18			6006.0101	RATIONAL special cleaning agent	
19			6006.0110	RATIONAL descaler	
20			8400.3002	handle for mobile oven rack	
21			9003.0202	graphite grease Unimol Plus	
22			9006.0701	copper grease 1l	
23			9006.0850	stainless steel cleaning paste	



**Motor and Fan Wheel**

Voltage	Group	Page	Edition	Application from Serial. No.
<b>3 N AC 380V 50Hz</b>	<b>5</b>	<b>5.1</b>	<b>5.1.1</b>	<b>06C90051001</b>



Pos.	Pcs.	Sp. Part No.	Description	Sign.
1	1	3001.0426	motor	M1
2	1	5009.2014	insulation plate	
3	1	2520.271108	motor plate	
4	4	2016.0880	spacer	
5	4	1108.0260	hex nut M8	
6	4	1208.0160	toothed lock washer A8,4	
7	1	5001.0207	motor gasket	
8	1	2016.0876	gasket flange	
9	4	1306.0120	washer A6,4	
10	4	1106.0220	hex nut M6 flat	
11	1	2012.0602	fan wheel	
12	1	1310.0160	washer A10,5	
13	1	1210.0160	toothed lock washer A10,5	
14	1	1010.0760	hex screw M10x16	